

SERVICE BULLETIN

NORTHROP GRUMMAN

Note No.	SVC-FSB-0058A
Release Date	9/19/2019
Contact	ngceoservice@ngc.com

eDrive Current Monitor Notice

Purpose

This bulletin details proper oscilloscope usage when using the eDrive current monitor output.

Scope

This bulletin applies to the eDrive 2U and 4U Nitro.

eDrive Current Monitor Output Caution

A new caution warning is being placed on the **CURRENT MONITOR** output connector on the Rear Panel of the eDrive to increase awareness of end users as to the precautions for connecting this output to an oscilloscope.



Figure 1. Current Monitor Output Connector

Notice

If using an oscilloscope to measure the current monitor voltage, the oscilloscope should be floating (using a ground isolator on the oscilloscope power cord). If the scope is grounded, the diode current can pass through a ground loop (shown in **Figure 2**) and burn the current monitor negative wire (see **Figure 3**). The presence of a ground loop bypassing the FET could potentially also result in damage to the hardware being controlled by the eDrive.

SERVICE BULLETIN

Note No.	SVC-FSB-0058A
Release Date	9/19/2019
Contact	ngceoservice@ngc.com

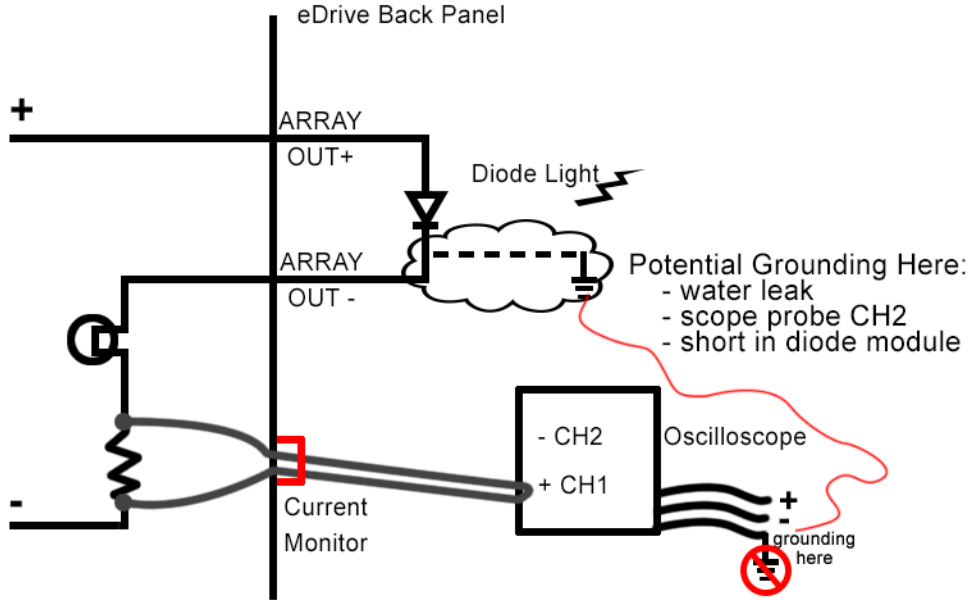


Figure 2

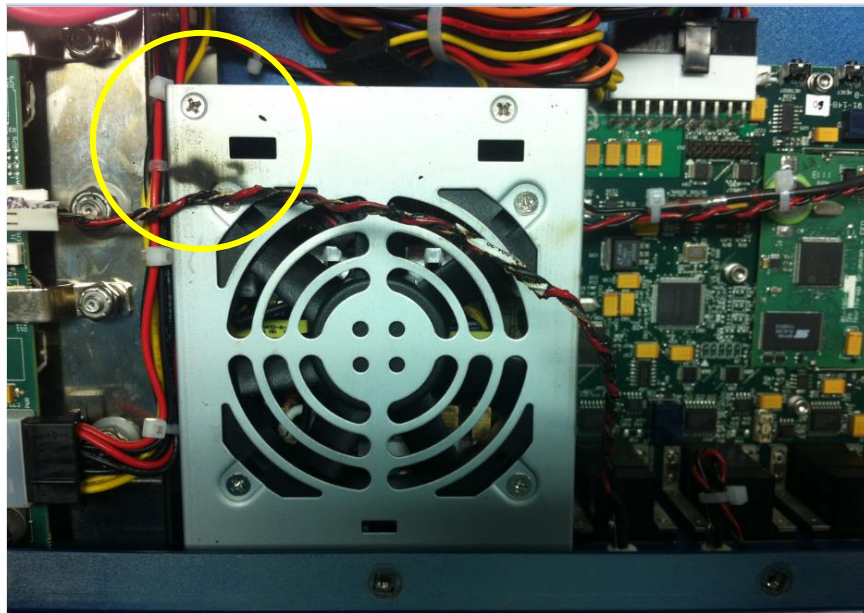


Figure 3